

产品规格书

PRODUCT SPECIFICATION

PRODUCT—产品: 调光功能红外感应器MODEL NO—型号: HP011VDATE——日期: 2022-04-06PREPARED—编制: 夏勇CHECKED—审核: 罗东APPROVED—批准: 周蒙

客户确认

CUSTOMER RECEIVED

CUSTOMER—客户: _____

CHECKED—审核: _____


APPROVED—批准: _____

DATE——日期: _____




调光功能红外感应器 Dimmable PIR Sensor


- 12VDC供电 • 独特设计, 小巧易安装 • 三段式调光功能
- 12VDC Input • Special Design With Tiny Sensor Body • Bi-level Dimmable, ON/OFF

 On/Off Control
开/关功能

 Detection Area
探测范围设置

 Hold Time
延时时间设置

 Stand-by period
守候时间设置

 Stand-by dimming level
守候亮度设置

Technical Data 参数规格

工作电压 Operating Voltage 10.5-15V	延时时间 Holdtime 7.5min 默认 Default Programmed	红外波长 PIR Wave Length 5-14um
连接方式 Connection 红: VCC; 黑: GND; 白: DIM Red: VCC; Black: GND; White: DIM	守候时间 Stand-by period 7.5min 默认 Default Programmed	红外头灵敏度 PIR Sensitivity 3200V/W
工作电流 Operating Current ≤30mA	守候亮度 Stand-by dimming level 第一阶段 50% 第二阶段 30% 1st Standby Dimming 50%; 2nd Standby Dimming 30%	输出信号峰值 Peak Output Signal ≥3500mV
热机时间 Warm-up Period 45s	安装高度 Mounting Height ≤4m/13.12ft	工作环境温度 Operating Temperature -20°C~+60°C
输出控制方式 Control ON/OFF和DIM调光	探测范围 Detection Range 半径: 2.5-4m/8.20-13.12ft Radius: 2.5-4m/8.20-13.12ft	探测角度 Detection Angle 菲涅尔透镜 <120° With Fresnel Lens <120°

测试模式: 测试模式重新上电后恢复默认值 Test Mode: Back to Default Program After Reconnected

HP011-1: HD03R 遥控器按键 Reset 键为灵敏度 100%, 延时 5s 后关灯。

HP011-1: Press RESET button of HD03R remote, it performs detection area 100% and holdtime 5S, then OFF

按 Test (2s): 灵敏度 100%, 延时 2s, 守候 50% 2s, 守候 30% 无穷大。

Press TEST button of HD03R remote, it performs as detection area 100%, holdtime 2S, 1st standby period 2S with dimming level 50%; 2nd standby period infinite with dimming level 30%

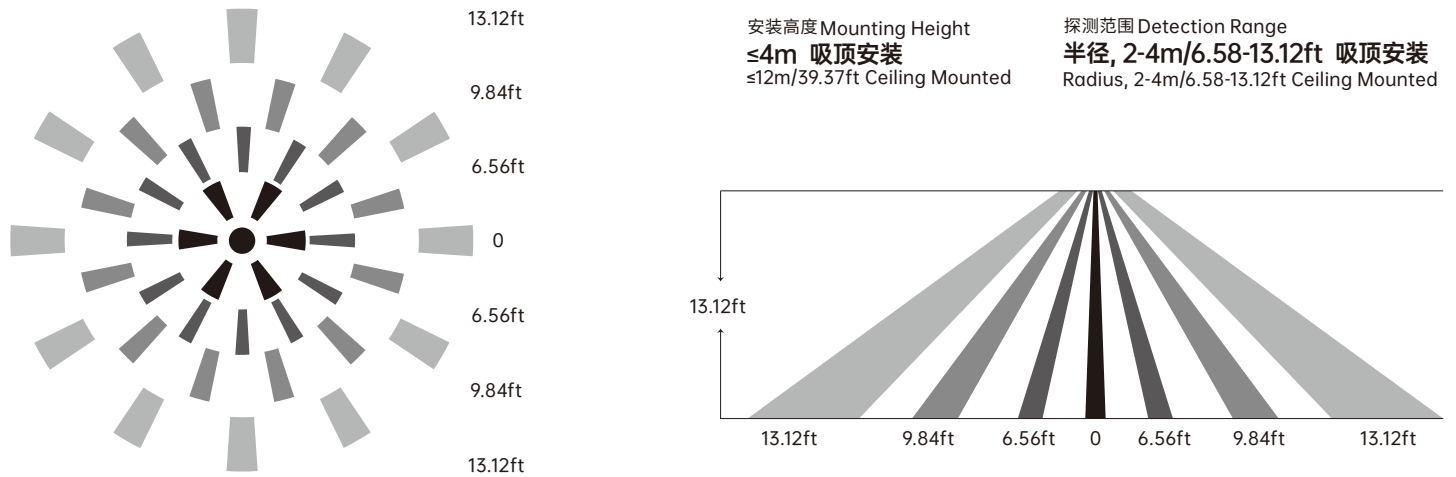
HP011-2: HD03R 遥控器按键 Reset 键为灵敏度 100%, 延时 5s 后关灯。

HP011-2: Press RESET button of HD03R remote, it performs detection area 100% and holdtime 5S, then OFF

按 Test (2s): 灵敏度 100%, 延时 2s, 守候 50% 2s, 守候 30% 2s。

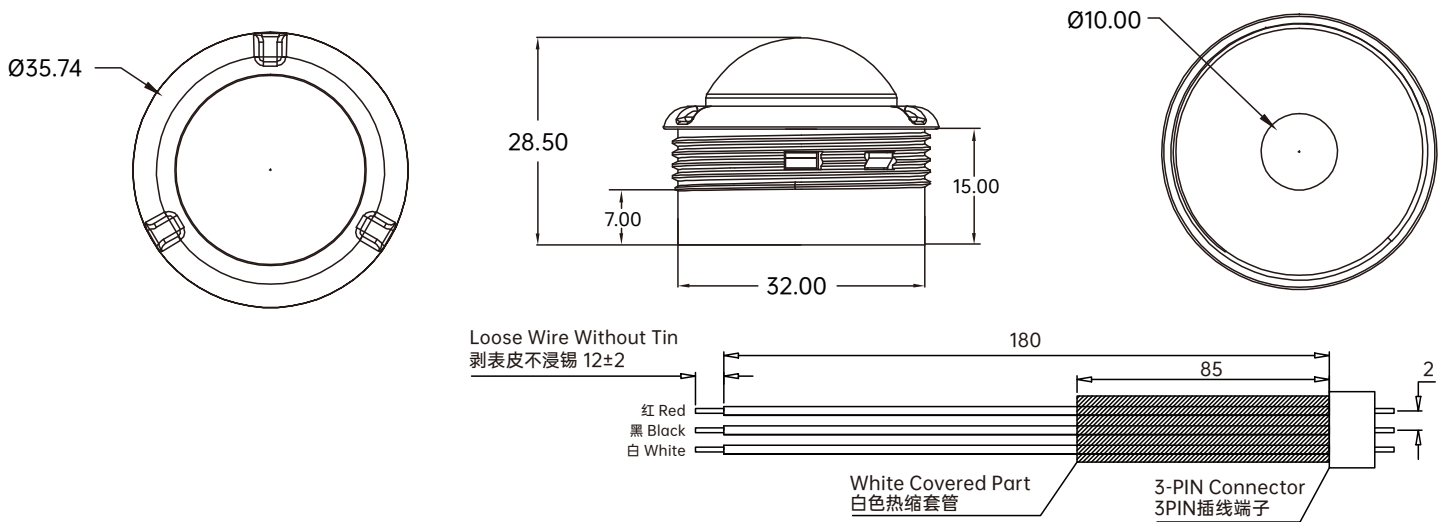
Press TEST button of HD03R remote, it performs as detection area 100%, holdtime 2S, 1st standby period 2S with dimming level 50%; 2nd standby period 2S with dimming level 30%.

Detection Coverage 探测范围示意图

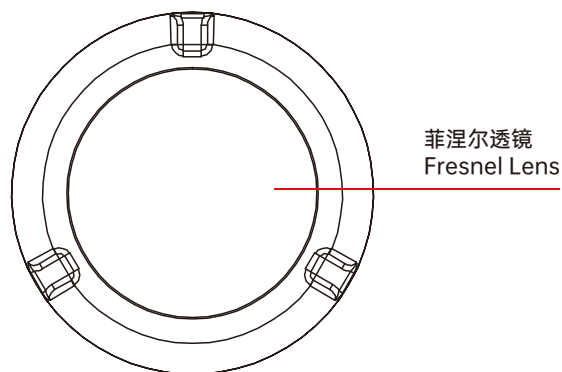


Dimensions 尺寸图 Unit: mm

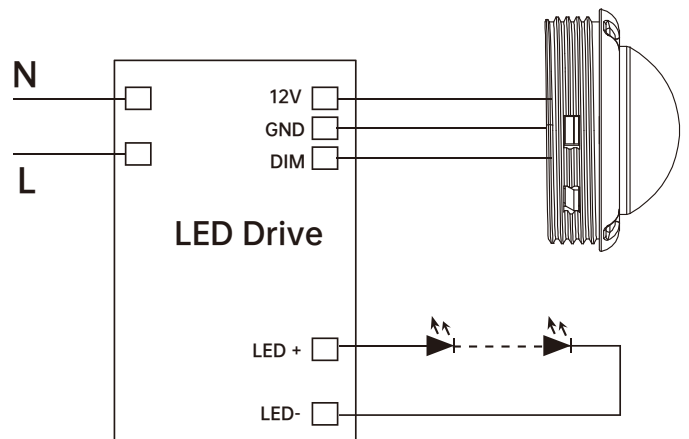
外露线长约180mm Shown-part length about 180mm



Mechanical structure 结构图

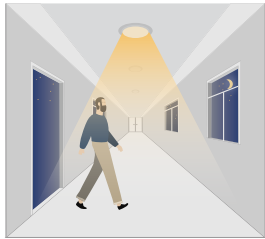


Wiring Diagram 接线图



红: VCC; 黑: GND; 白: DIM
 Red: VCC; Black: GND; White: DIM

1. Corridor Function, Bi-level Dimmable 三段式调光功能



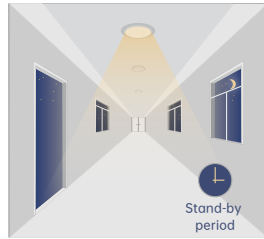
在守候亮度阶段检测到运动后，感应器自动100%亮灯。

Sensor turns light ON 100% once detect motion during the standby period.



感应器检测不到运动后，自动进入延时时间；延时时间段内灯亮100%。

After there's no motion detected, the sensor keeps light ON 100% for holdtime.



延时时间后，感应器自动进入第一阶段守候时间，保持50%守候亮度。

After holdtime, the sensor dims to 50% standby dimming level and keep for the 1st standby period.



第一阶段守候时间结束后，感应器进入第二阶段守候，一直保持30%守候亮度。

After the 1st standby period, the sensor dims to 30% standby dimming level and keep for 2nd standby period.



Attention 注意事项

1. Please read the instructions carefully before using this product and keep it well for all users to read at any time.
2. The sensor should be installed by qualified electrician and ensure power is off before the installation.
3. We reserve the right to modify any incorrect text, image and necessary technical parameters.
4. Any unauthorized modification is forbidden, otherwise all guarantees will be immediately invalid.

- 1、使用本产品前请仔细阅读使用说明，并妥善保管以便所有使用者随时参阅。
- 2、感应器应由专业的电工安装，并确保在安装前，切断电源。
- 3、我们将保留对任何错误文字或图像以及必要的技术参数做出修改的权利。
- 4、未经授权不得擅自修改感应器，否则一切签约保证将立即失效。

Installation precautions 安装注意事项

1. Turn the power off at the circuit breaker before installing the sensor.
2. Do not allow bare wires to show; Make sure all connections are secure; Check all the gaskets for watertight fit.
3. Assemble any necessary mounting accessories.
4. Have the sensor's lens lower than edge of the fixture and keep the sensor away from heating part.

- 1、确保安装前先断电。
- 2、安装后不得有裸线；确保接线正确安装；确认所有垫圈位置是否防水。
- 3、确保感应器的所有配件全部安装好。
- 4、确保透镜部分外露安装，不被遮挡。
- 5、安装后要使感应透镜部分超过灯具平面，且不靠近灯具发热位置；灯具或电源产生的热同样会影响红外感应器正常工作。

Application Environment 应用环境

1. Do not mount it outdoor, in case the outdoor temperature disturbs it.
2. Do not have it at places with suddenly changed temperature or airflow.
3. Do not have shelves between sensor to the presence area.

- 1.不宜安装在室外，避免受环境温度的影响误触发。
- 2.不宜安装在温度或气流变化敏感的位置，避免误触发。
- 3.从感应头到探测地面的纵向距离间不宜有隔板、货架等隔离物体。